



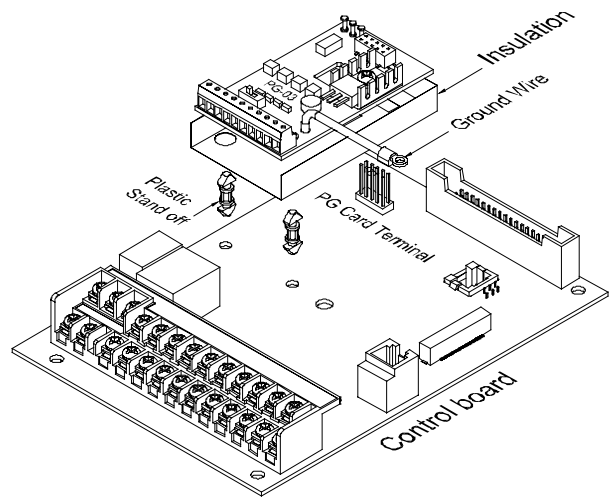
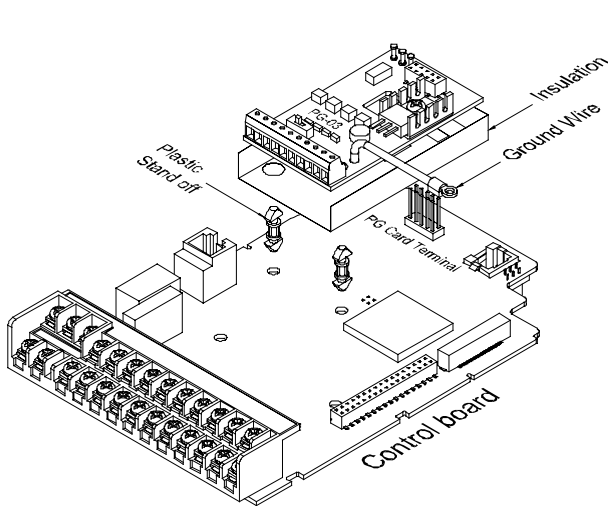
PG-03 Pulse Generator Card for VFD-B/VFD-V Series

Installation Instruction

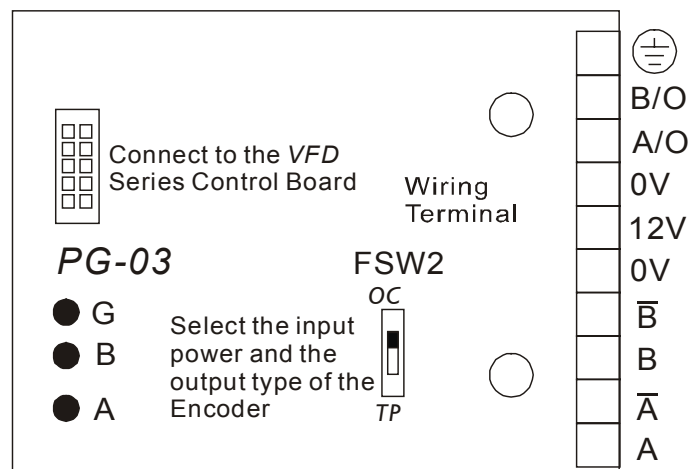
Installation

1 to 5HP (0.75kW to 3.7kW)

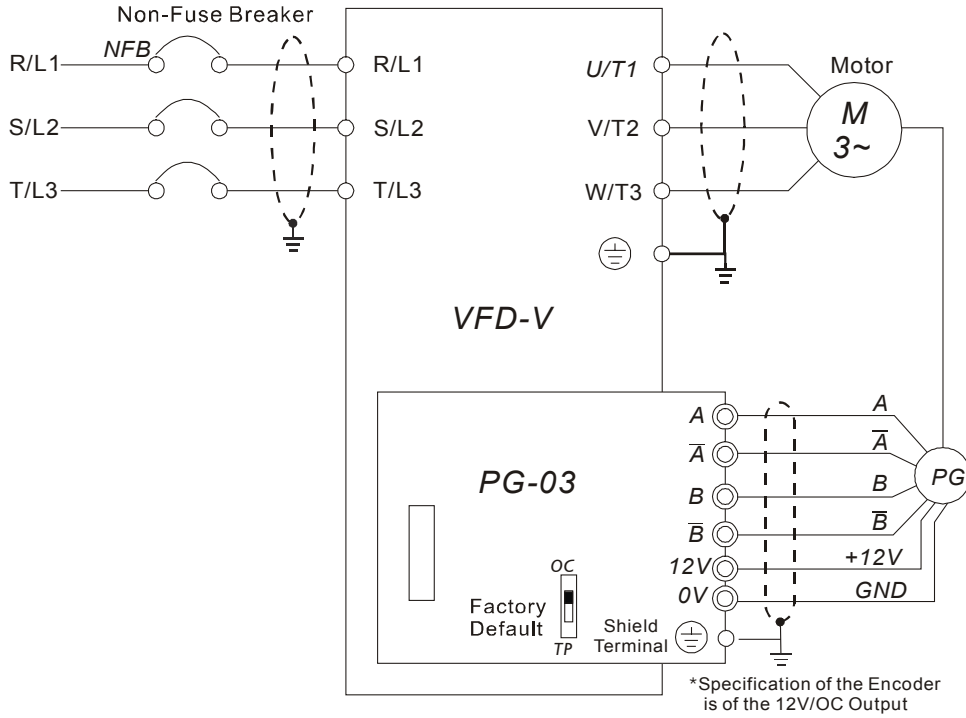
7.5HP (5.5kW) and above



Exterior of PG-03

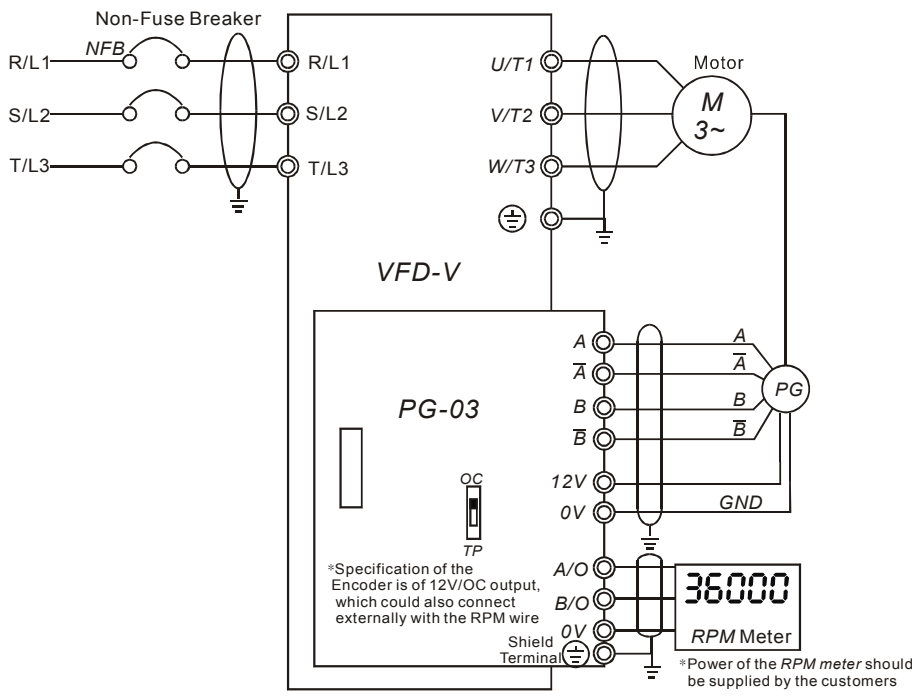


Wiring Diagram



Connection between PG-03 and the Encoder

Connect Externally with the Encoder of 12V Power Supply and Output Signals to Additional Tachometer




Connection between PG-03 and the Encoder


3

PG-03 Terminal Descriptions

Terminals

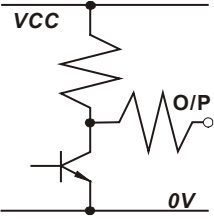

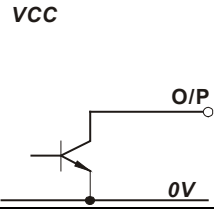

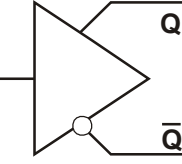

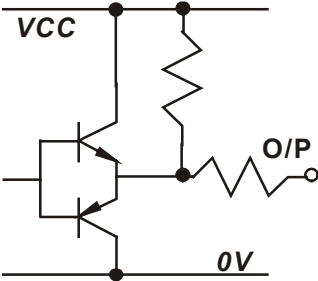

Terminal Symbols	Descriptions
+12V	Power Supply of the Encoder: +12V Output Voltage: +12V±5% 200mA
0V	Common point for the power supply and the signal
A, \bar{A} , B, \bar{B}	Encoder signal input (select the output type of the Encoder from FSW2) Both single-phase input and two-phase input available Maximum: 500KP/Sec
A/O, B/O	The Encoder signal output Maximum: DC24V 50mA
	Common point for signal grounding

Wiring Notes

1. Please use a shield cable to prevent interference. Do not run control wire parallel to any high voltage AC power line (220 V and up).
2. Connect shielded wire to  E only.
3. Recommended wire size 0.21 to 0.81mm² (AWG24 to AWG18).
4. Wire length:

The Output Types of the Encoder	Maximum Wire Length	Wire Gauge
Output Voltage	50m	1.25mm ² (AWG16) or above
Open Collector	50m	
Line Driver	300m	
Complementary	70m	

The Output Types to Accommodate the Encoder

Output Types of the Encoder		F5W2 switch
Output Voltage		
Open Collector		
Line Driver		
Complimentary		

ASIA

DELTA ELECTRONICS, INC.
TAOYUAN Plant/
 31-1, SHIEN PAN ROAD,
 KUEI SAN INDUSTRIAL ZONE
 TAOYUAN 333, TAIWAN
 TEL: 886-3-362-6301
 FAX: 886-3-362-7267

NORTH/SOUTH AMERICA

DELTA PRODUCTS
CORPORATION
Sales Office/
 P.O. BOX 12173
 5101 DAVIS DRIVE
 RTP, NC 27709 U. S. A.
 TEL: 1-919-767-3813
 FAX: 1-919-767-3969

EUROPE

DELTRONICS (Netherlands) B.V.
Sales Office/
 Industriegebied Venlo Nr. 9031
 Columbusweg 20
 NL-5928 LC Venlo
 The Netherlands
 TEL: 31-77-324-1930
 FAX: 31-77-324-1931